

*Fisher & Paykel*  
appliances

customer care™

*Fisher & Paykel*

Refrigerator/Freezer

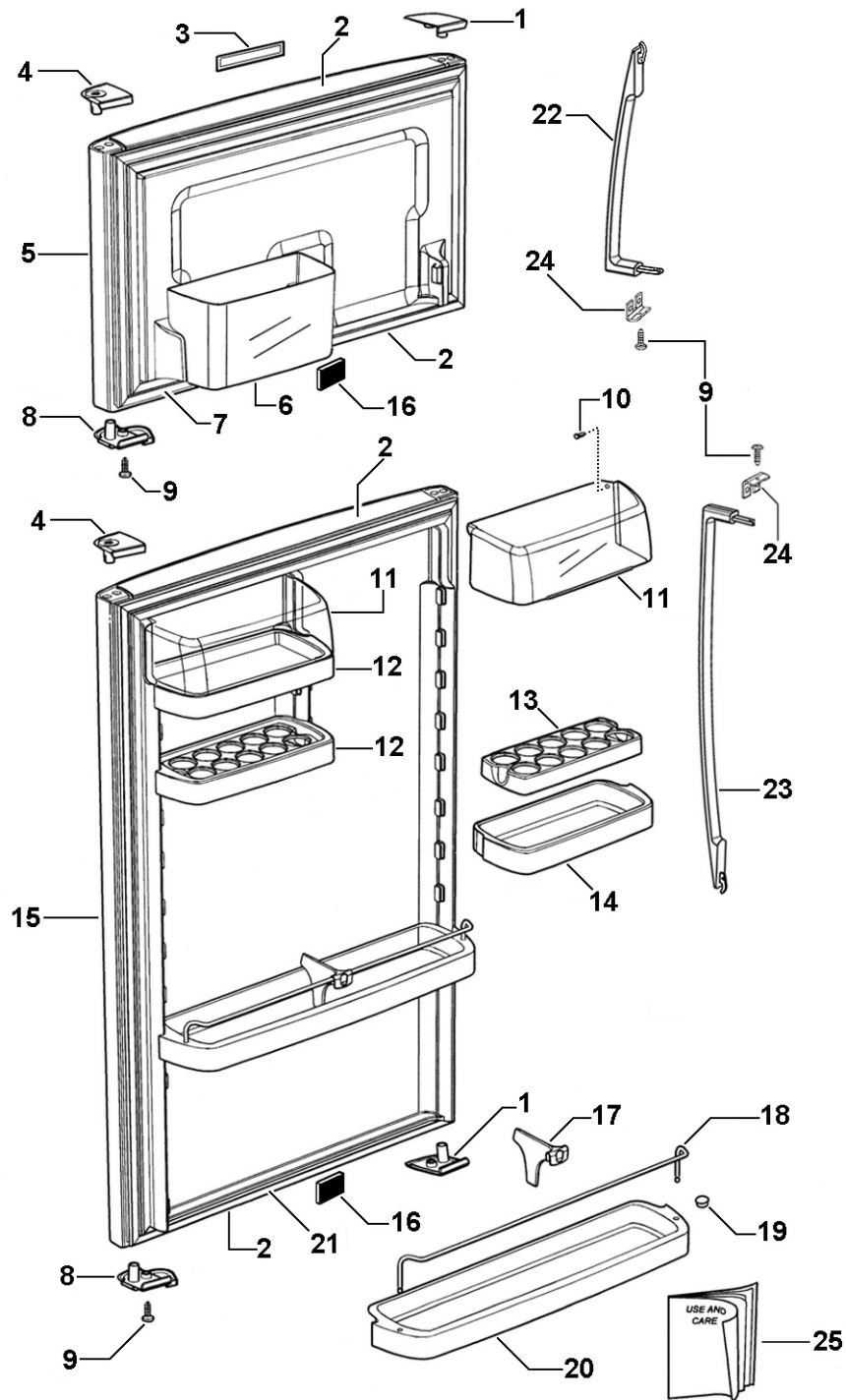
E415HRX2 FP NZ

*Product Code: 23940-A*

**Parts Manual**

NZ PI

4 DOORS & COMPONENTS



6 CABINET COMPONENTS

